

# Travel Drives Final Drives XLarge

**Output torque**  
620 ... 2916 kNm

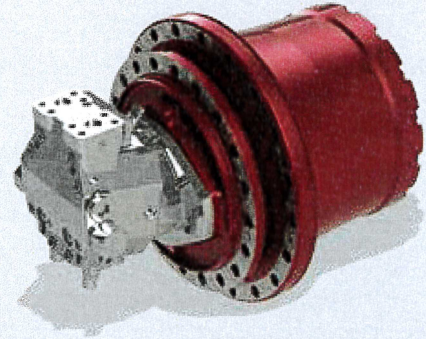
**Gear Ratios**  
249 ... 989 i

**Standard features**

- Compact structure
- High performance
- 3-7 Planetary wheels per stage
- Notchless ground tooth root
- Different ratios
- Integrated disc-brake
- Suitable for various hydraulic motors
- High availability by highest teeth and production quality

**Special executions on request**

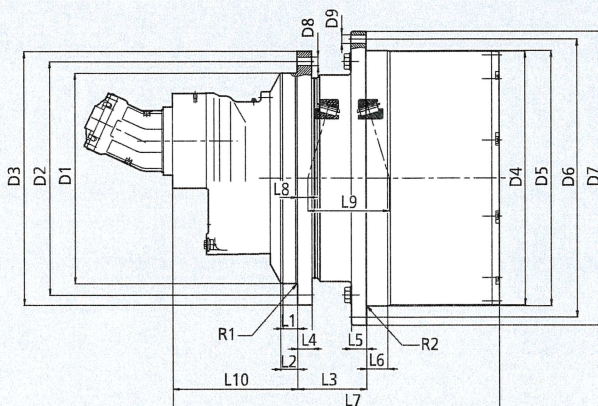
- Mechanical disconnect device



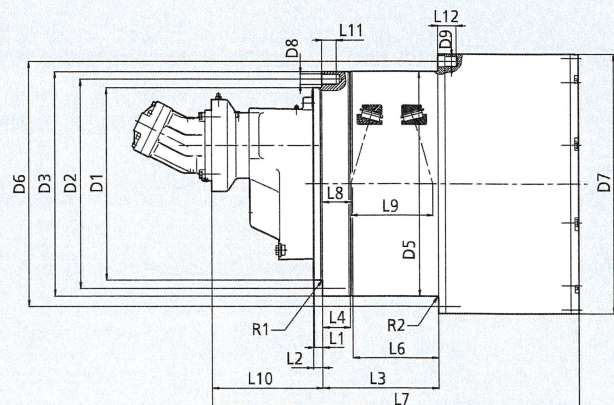
Type	Output torque * (kNm)
F620	620
F650	650
F700	700
F700A	700
F800	800
F1100	1100
F1300	1300
F1800	1800
F2200	2200
F3000	2916

\* Stated torques are peak values for short duration

STANDARD INPUT VERSION - ST



CRAWLER CRANE VERSION - CC





## Overall dimensions and technical data

		<b>F620</b>	<b>F650</b>	<b>F700</b>
Ratio <sup>1</sup>	i	249-293-328-462		682
Version <sup>2</sup>		ST	CC	CC
<b>CAPACITY OF BEARING</b>				
C-dynamic	kN	1320	1320	1040
Co-static	kN	3150	3150	2450
Weight <sup>3</sup>	kg	2897	2897	1660
<b>PARK BRAKE</b>				
Locking torque	Nm	1200	1200	1150
Release pressure min.	bar	28	28	17
<b>HYDRAULIC MOTOR</b>				
Fixed	ccm	(2x) 250-(1x) 500	(2x) 200-(2x) 160	–
Variable	ccm	(2x) 250-(2x) 280-(1x) 500	(2x) 160	(2x) 215
<b>DIMENSIONS</b>				
L1	mm	50	30	40
L2	mm	57.5	33	43
L3	mm	245	405	255
L4	mm	52.5	96	89
L5	mm	53	–	–
L6	mm	75	306	117
L7	mm	1232	1159	846.5
L8	mm	38	99	133
L9	mm	287	287	213
L10	mm	341	352.8	–
L11	mm	–	50	45
L12	mm	–	65	70
R1	mm	4	4	4
R2	mm	–	5	4
D1	mm	730	668	450
D2	mm	810	726	515
D3	mm	880	779	563
D4	mm	880	–	–
D5	mm	885	782	570
D6	mm	965	830	620
D7	mm	1020	880	763
D8	mm	M30x2	M36x1.5	M36x1.5
D9	mm	M30x2	M30x1.5	M30x1.5
Qty. D8 / D9		41/48	30/45	29/42

\* Park brake integrated in hydraulic motor  
 1) Other ratios on demand

2) ST= Standard CC= Crawler Crane  
 3) Without hydraulic motor

# Travel Drives

## Final Drives XLarge

		<b>F700A</b>	<b>F800</b>	<b>F1100</b>	<b>F1300</b>
Ratio <sup>1</sup>	i	648	283-298	406	461
Version <sup>2</sup>		CC	ST	ST	ST
<b>CAPACITY OF BEARING</b>					
C-dynamic	kN	1320	2485	3900	3900
Co-static	kN	3150	5941	7650	7650
Weight <sup>3</sup>	kg	3350	3764	7220	7400
<b>PARK BRAKE</b>					
Locking torque	Nm	1200	1000*	1750	1750
Release pressure min.	bar	28	7.8*	20	20
<b>HYDRAULIC MOTOR</b>					
Fixed	ccm		(2x) 250	(2x) 250	(2x) 250
Variable	ccm	(2x) 160	(2x) 250-(2x) 280	(2x) 250-(2x) 280	
<b>DIMENSIONS</b>					
L1	mm	30	20	57	57
L2	mm	33	25	60	60
L3	mm	405	229	503	503
L4	mm	96	60	74	74
L5	mm	–	58	–	–
L6	mm	306	170	–	–
L7	mm	1372.5	1315	1483	1623
L8	mm	99	161/163	176	176
L9	mm	287	257/253	368	368
L10	mm	474.8	713	713	395.5
L11	mm	50	–	–	–
L12	mm	65	–	–	–
R1	mm	4	6	10	10
R2	mm	5	8	6	6
D1	mm	668	830	1110	1110
D2	mm	726	980	1230	1230
D3	mm	779	1050	1310	1310
D4	mm	–	916	1116	1116
D5	mm	780	920	–	1100
D6	mm	850	976	1170	1170
D7	mm	900	1055	1226	1226
D8	mm	M36x1.5	M30x2	M36x4	M36x4
D9	mm	M36x1.5	M30x2	M30x3.5	M30x3.5
Qty. D8 / D9		30/45	48/48	48/52	48/52

\* Park brake integrated in hydraulic motor

1) Other ratios on demand

2) ST= Standard CC= Crawler Crane

3) Without hydraulic motor

## Overall dimensions and technical data

		<b>F1800</b>		<b>F2200</b>		<b>F3000</b>
Ratio <sup>1</sup>	i	656-744		552-989		699
Version <sup>2</sup>		ST	CC	ST	CC	ST
<b>CAPACITY OF BEARING</b>						
C-dynamic	kN	3900	3900	5100	3900	6110
Co-static	kN	7650	7650	11600	7650	11900
Weight <sup>3</sup>	kg	7500	9000	10736	9000	11500
<b>PARK BRAKE</b>						
Locking torque	Nm	1200	1200	2300	1200	1700
Release pressure min.	bar	28	28	22	28	12
<b>HYDRAULIC MOTOR</b>						
Fixed	ccm		(2x) 250	(2x) 355	(2x) 250	
Variable	ccm	(2x) 250-(2x) 280	(2x) 250-(2x) 280	(2x) 355	(2x) 250-(2x) 280	(2x) 250-(2x) 280
<b>DIMENSIONS</b>						
L1	mm	54	55	60	55	60
L2	mm	60	60	70	60	70
L3	mm	310	478	343	478	343
L4	mm	74	158	80	158	80
L5	mm	107	–	100	–	100
L6	mm	191.5	239	80	239	80
L7	mm	1839.5	1785.5	1846	1956,5	2000
L8	mm	176	171	217	171	217
L9	mm	368	375	376	375	376
L10	mm	615.5	602.5	591	626	606
L11	mm	–	50	–	55	–
L12	mm	–	90	–	93	–
R1	mm	10	4	10	4	10
R2	mm	10	6	10	6	10
D1	mm	1110	785	1288	785	1288
D2	mm	1230	851	1400	858	1400
D3	mm	1310	923	1500	930	1500
D4	mm	1224	–	1224	–	1224
D5	mm	1250	935	1230	935	1230
D6	mm	1350	1016	1320	1016	1320
D7	mm	1430	1224	1400	1224	1400
D8	mm	M36x1.5	M42x2	M42x3	M48x2	M42x3
D9	mm	M42x2	M42x2	M42x3	M48x2	M42x3
Qty. D8 / D9		48/40	40/40	50/48	36/36	50/48

\* Park brake integrated in hydraulic motor  
 1) Other ratios on demand

2) ST= Standard CC= Crawler Crane  
 3) Without hydraulic motor